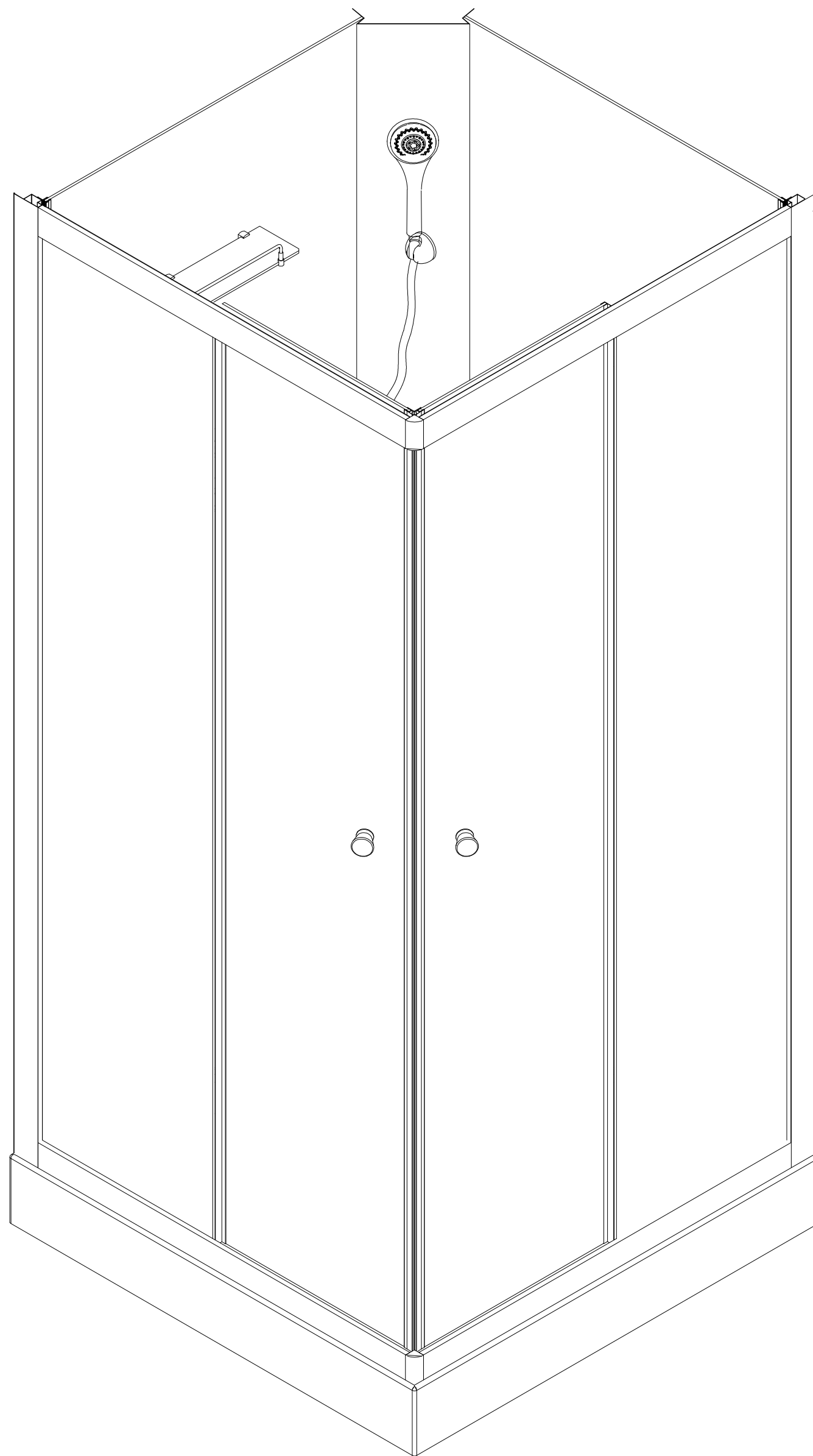
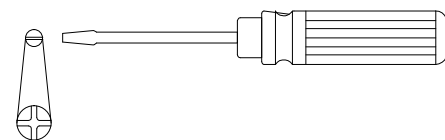
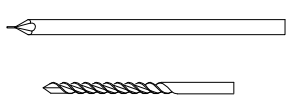
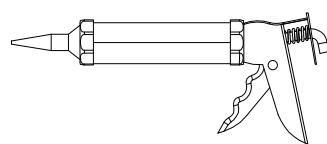
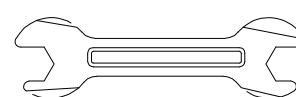
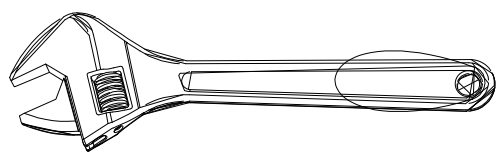
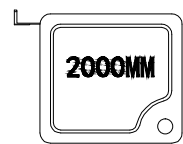
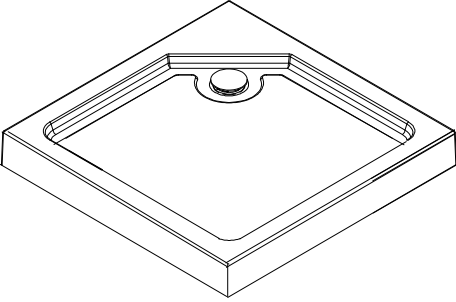
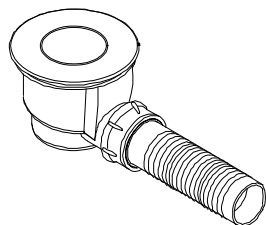
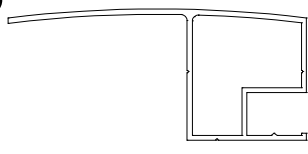
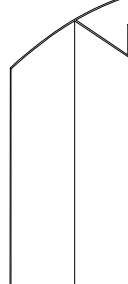
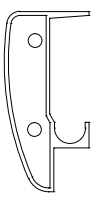

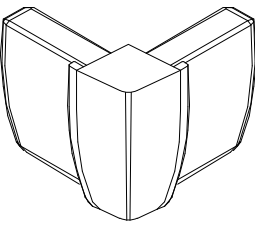
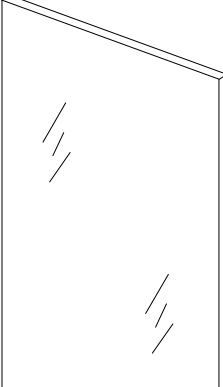
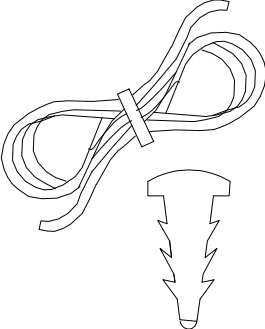
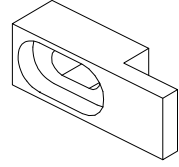
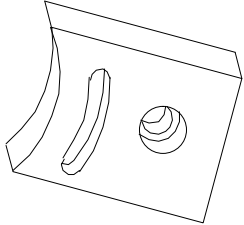
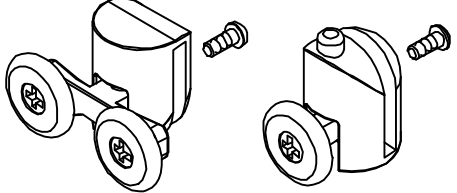
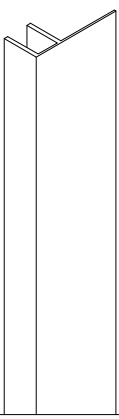
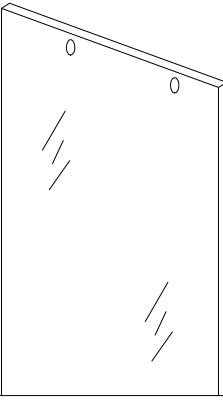
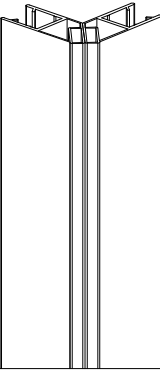
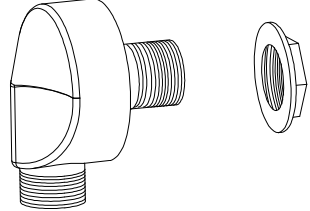
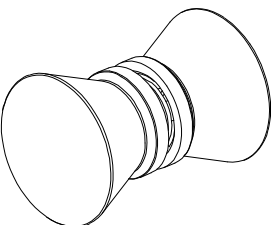
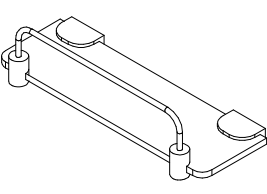
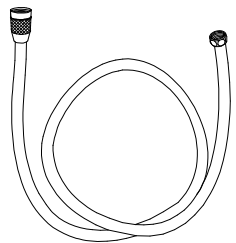
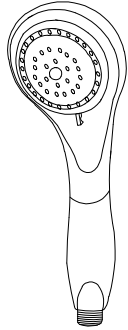
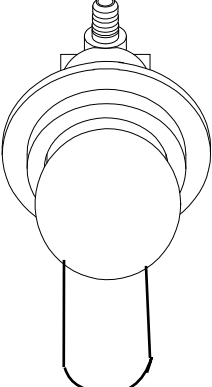
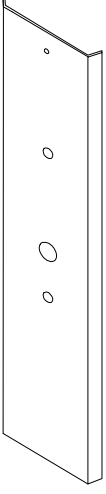
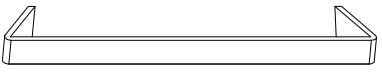

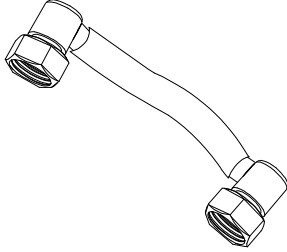

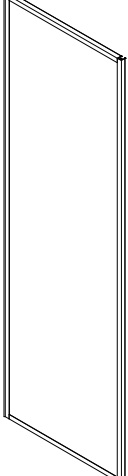
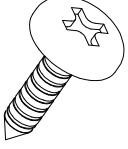
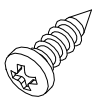


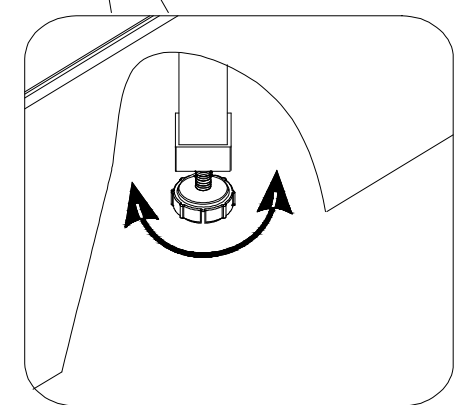
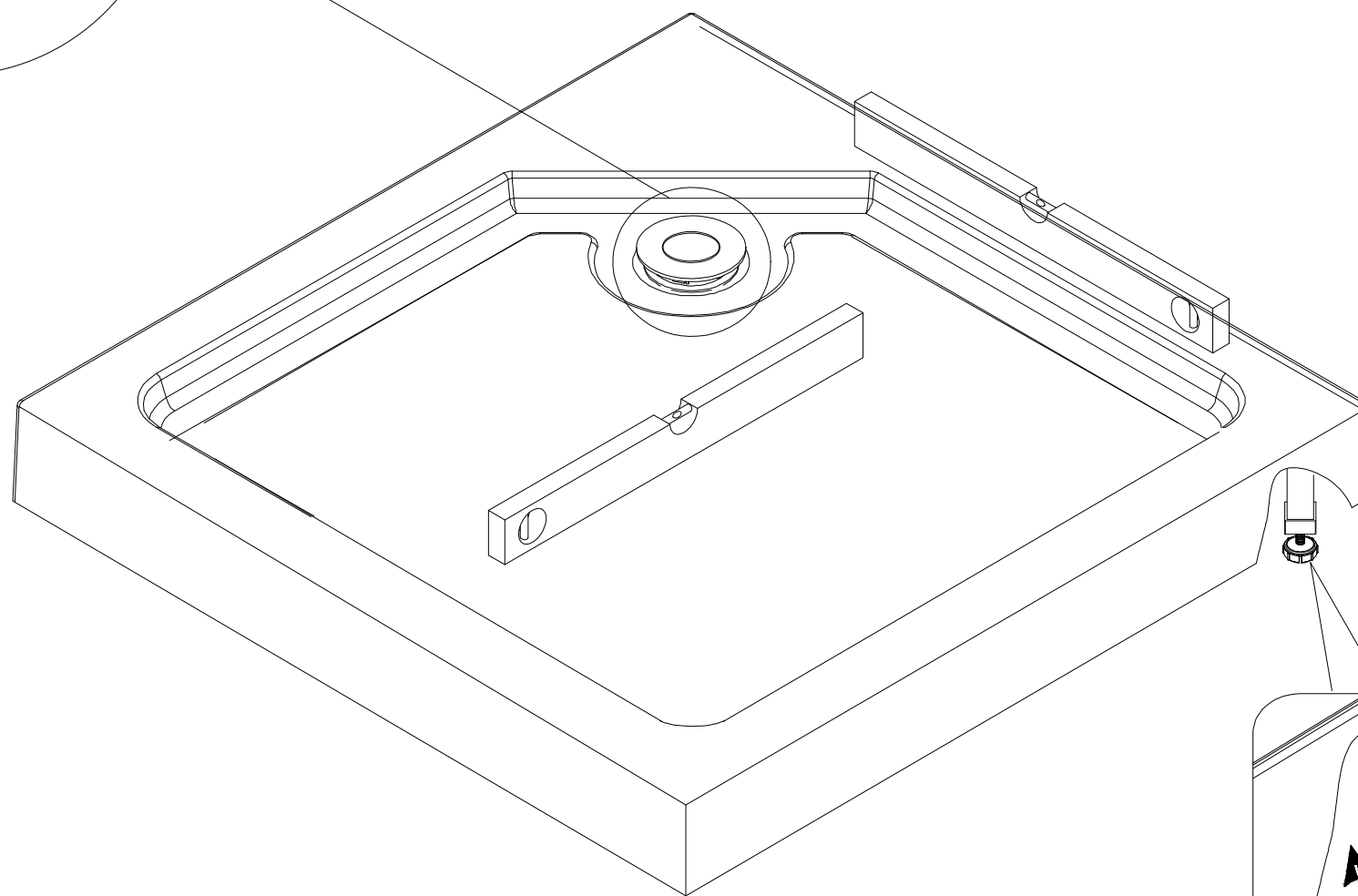
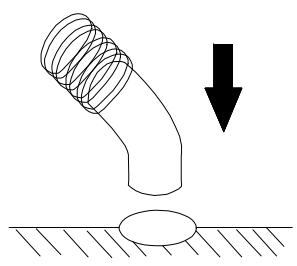
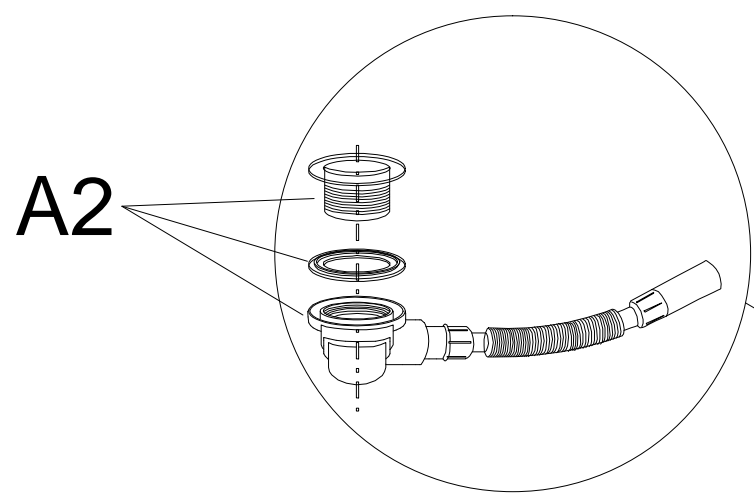
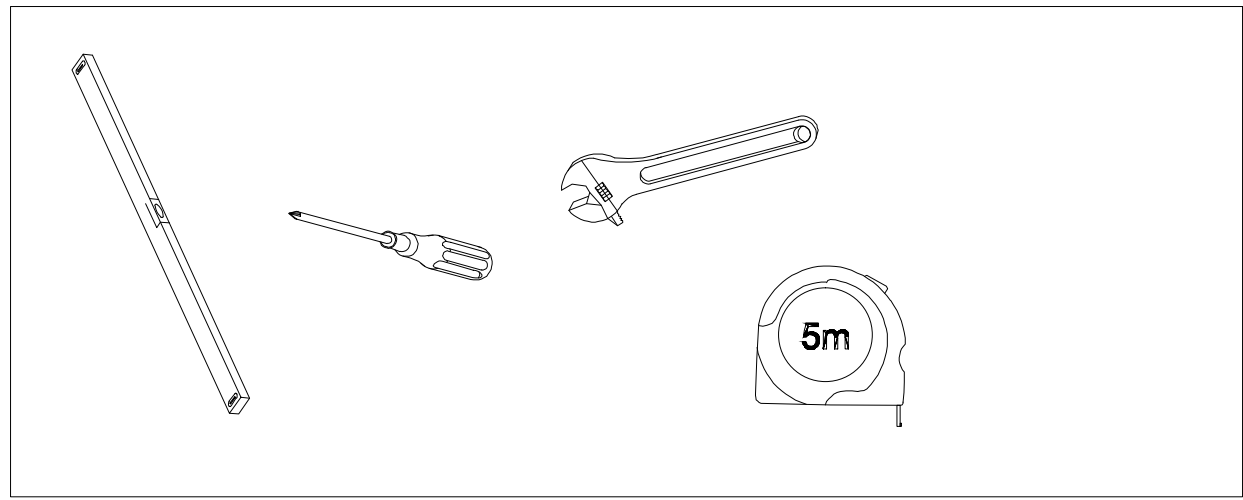
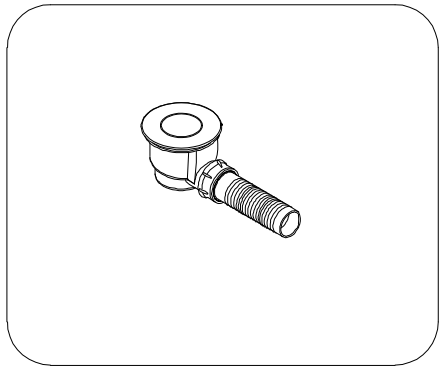
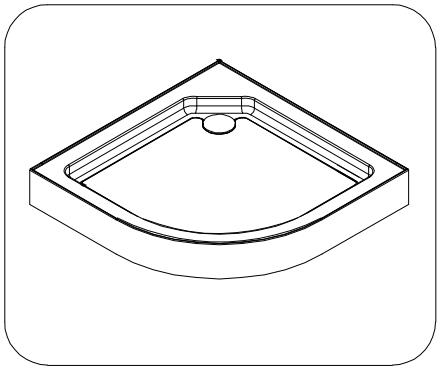
# MR SZANITER

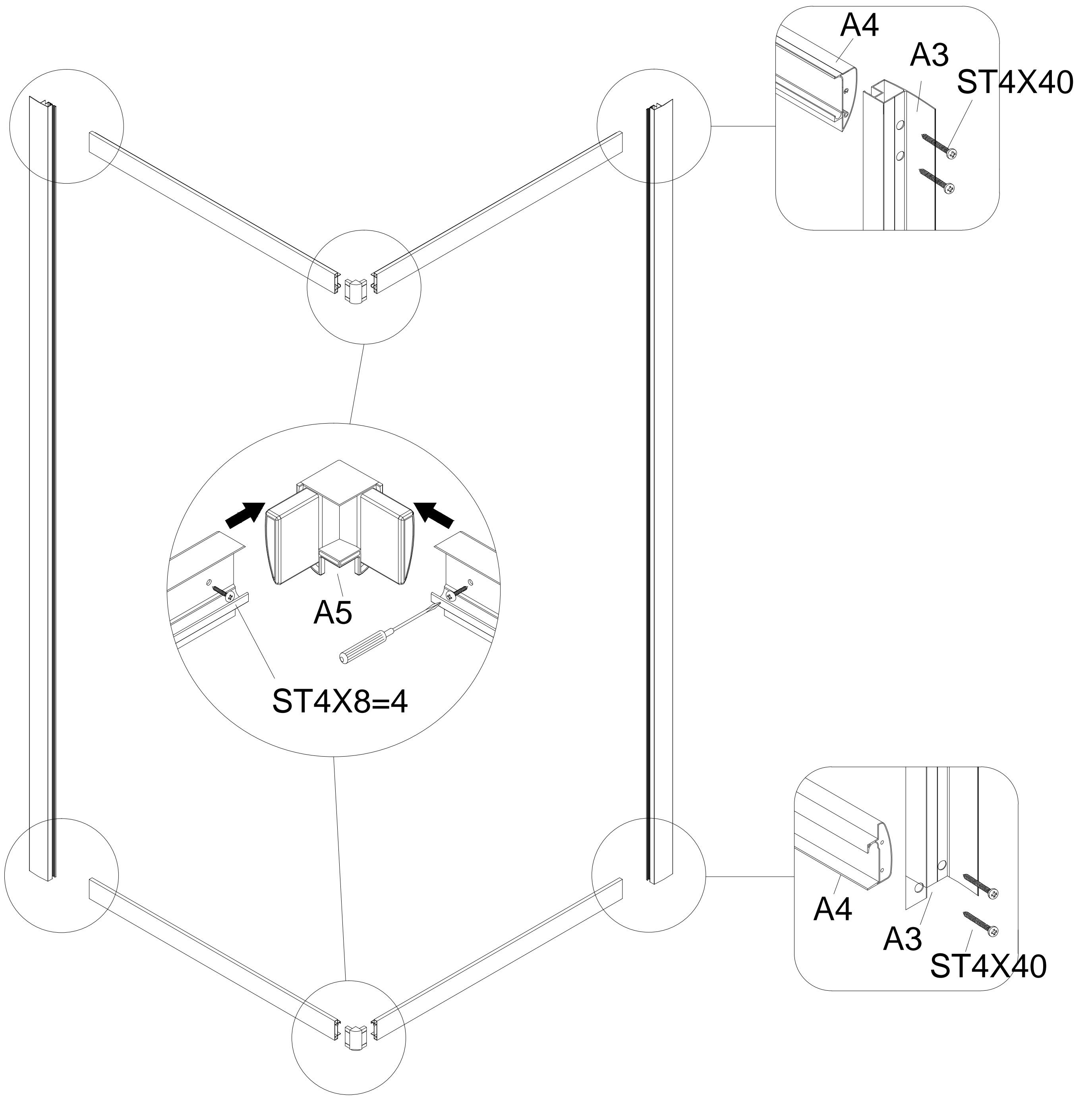
## 7051-80/90

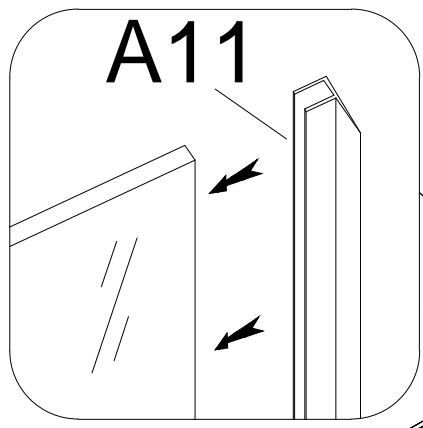




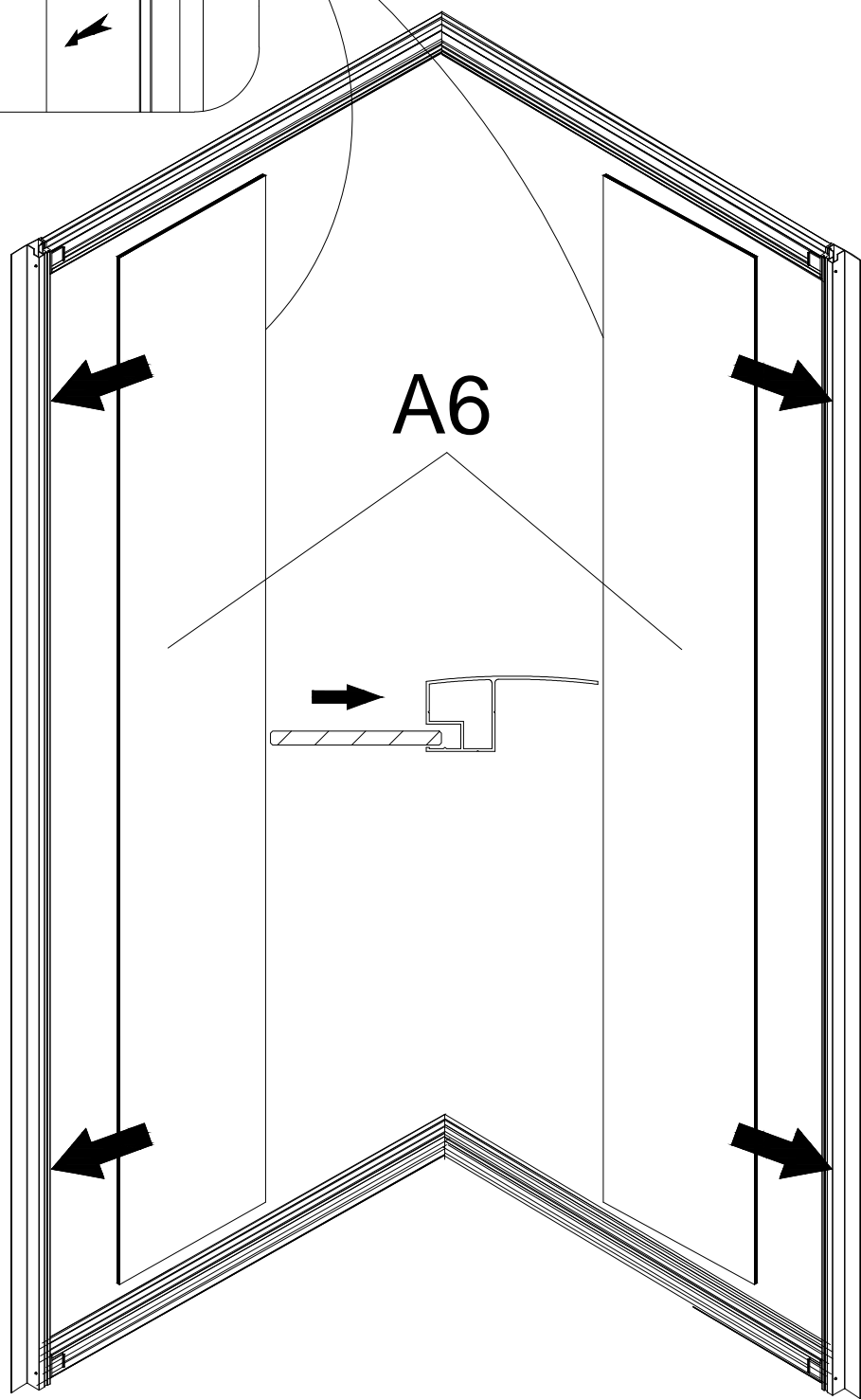
<p>A1</p>  <p>X1</p>	<p>A2</p>  <p>X1</p>	<p>A3</p>   <p>X2</p>	<p>A4</p>   <p>X4</p>	<p>A5</p>  <p>X2</p>
<p>A6</p>  <p>X2</p>	<p>A7</p>  <p>X2</p>	<p>A8</p>  <p>X4</p>	<p>A9</p>  <p>X8</p>	<p>A10</p>  <p>X8</p>
<p>A11</p>  <p>X4</p>	<p>A12</p>  <p>X2</p>	<p>A13</p>  <p>X1</p>	<p>A14</p>  <p>X1</p>	<p>A15</p>  <p>X2</p>
<p>A16</p>  <p>X1</p>	<p>A17</p>  <p>L=1.5M X1</p>	<p>A18</p>  <p>X1</p>	<p>A19</p>  <p>X1</p>	<p>A20</p>  <p>X1</p>
<p>A21</p>  <p>X2</p>	<p>A22</p>  <p>M4X25=2 X1</p>	<p>A23</p>  <p>X1</p>	<p>A24</p>  <p>X1</p>	<p>A25</p>  <p>X1</p>
 <p>ST4X8=4 ST4X10=8 ST4X12=20 ST4X40=8</p>	 <p>ST4X10=4</p>			



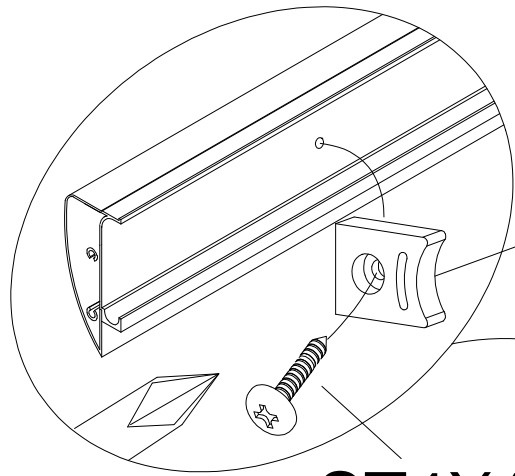




A11

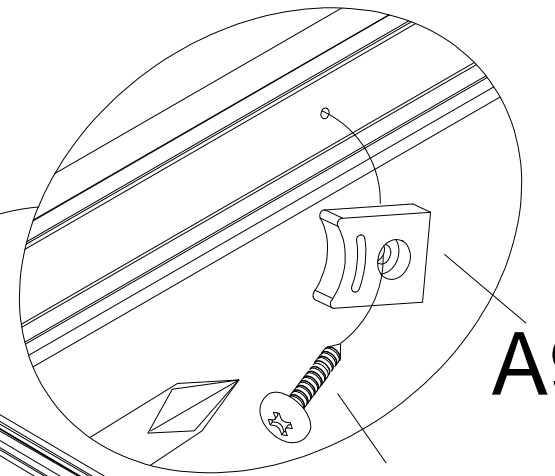


A6



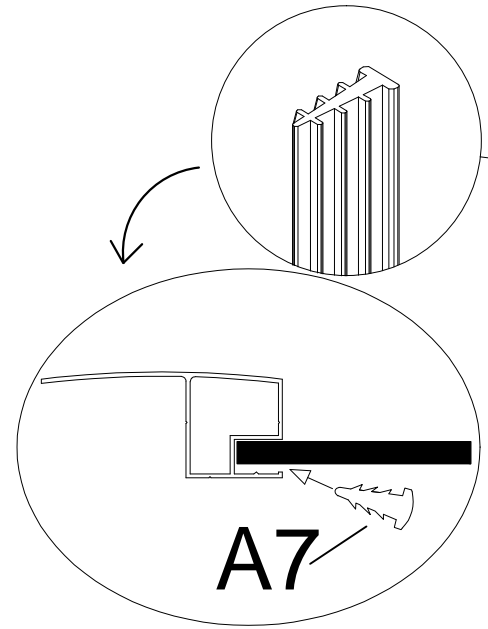
A9

ST4X10

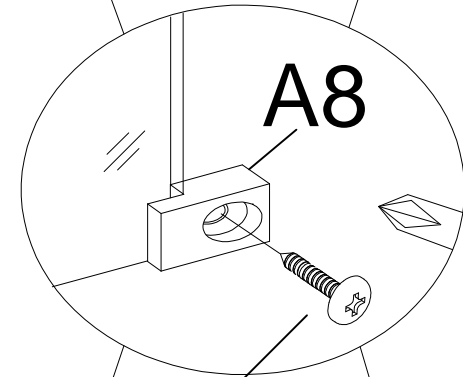


A9

ST4X10

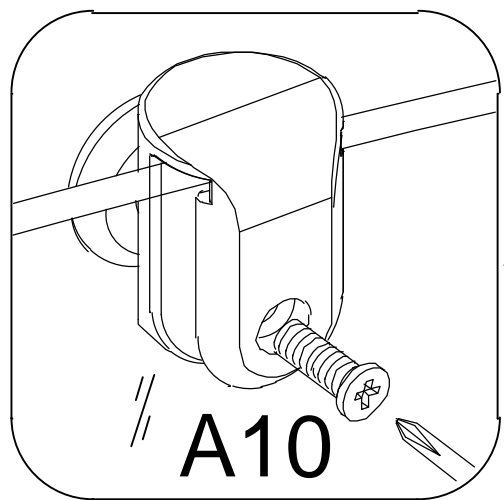
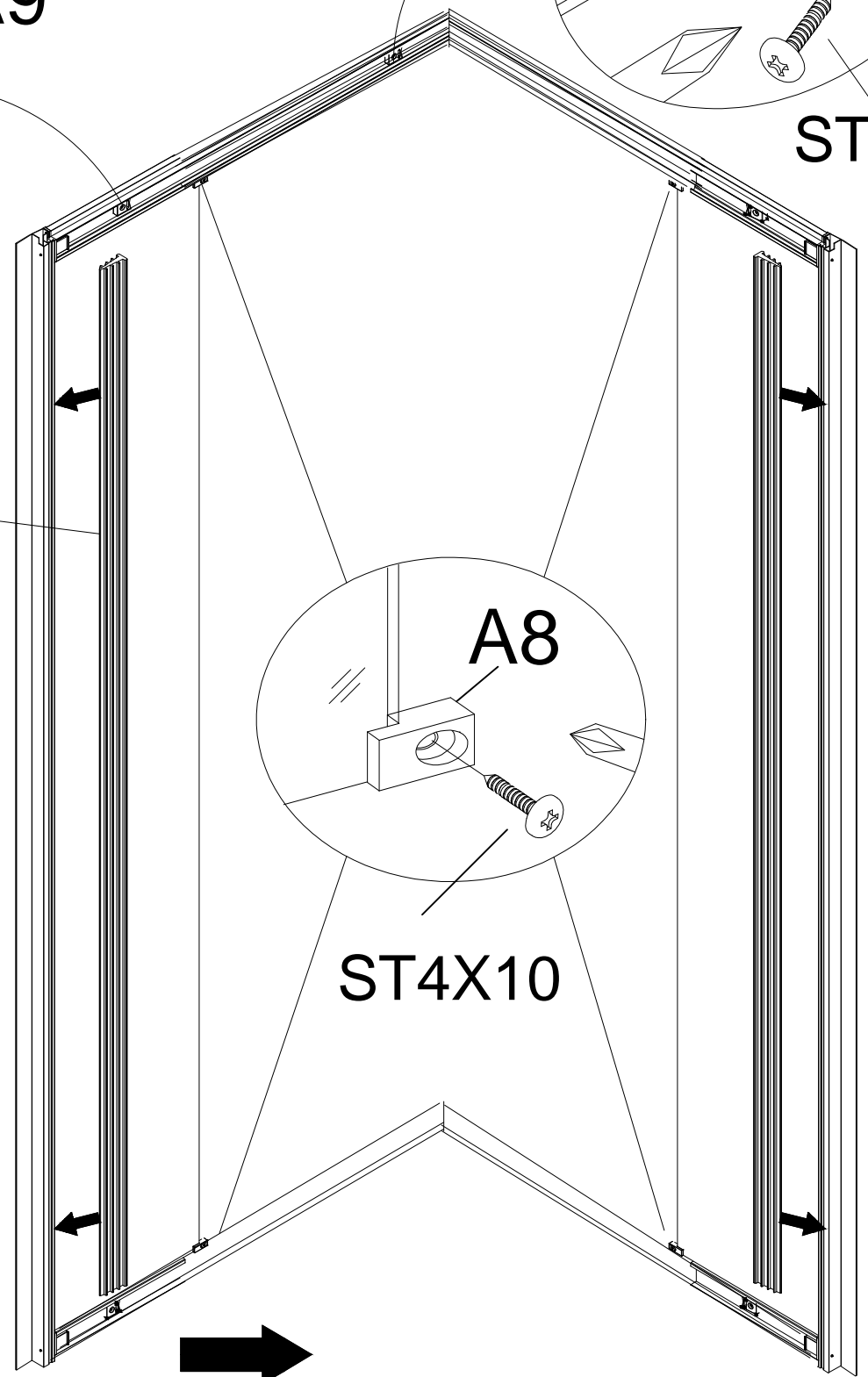


A7

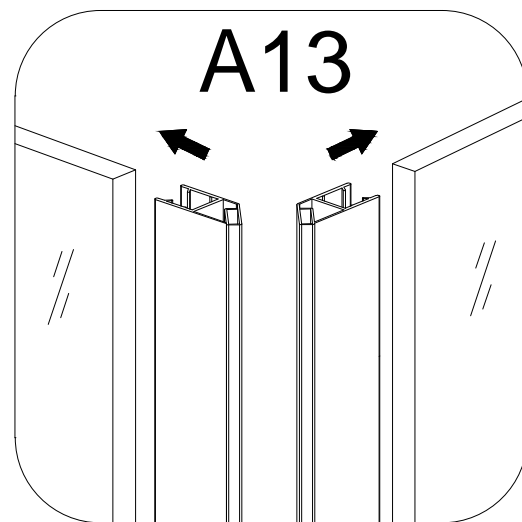


A8

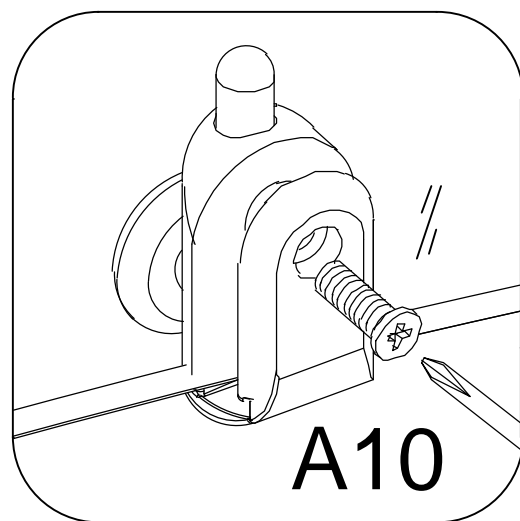
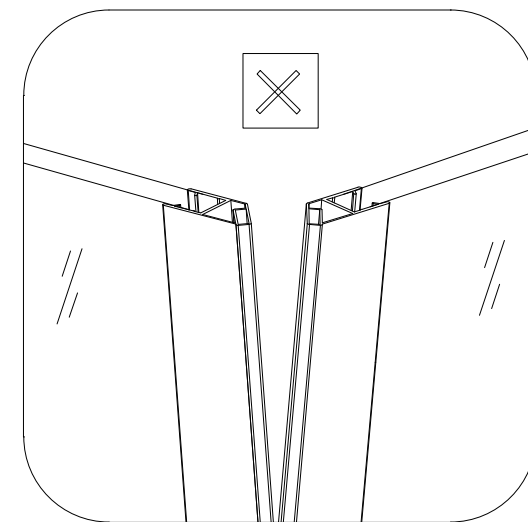
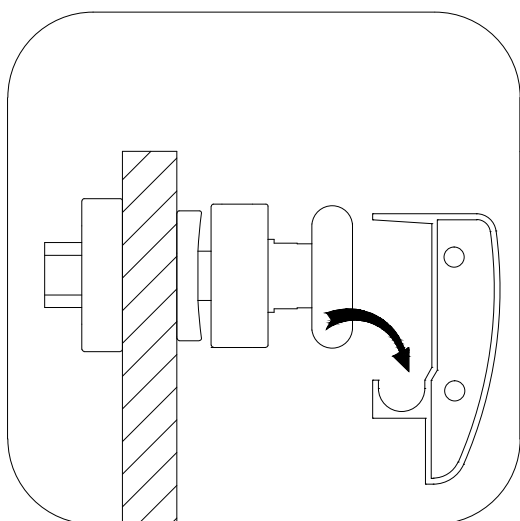
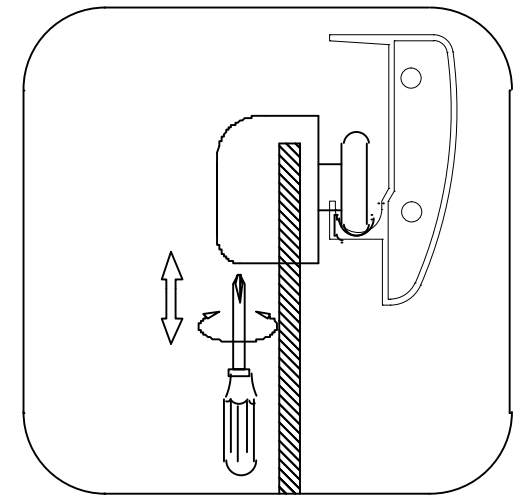
ST4X10



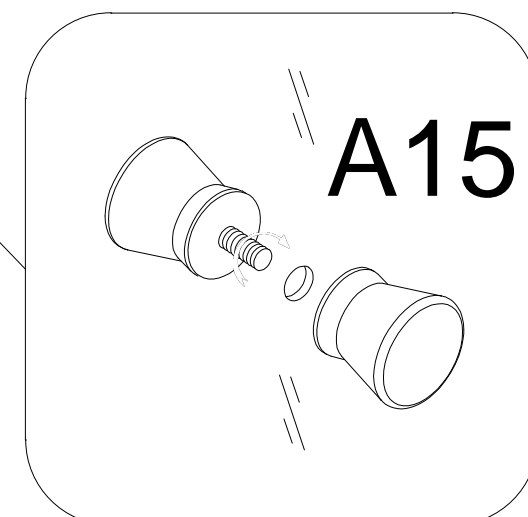
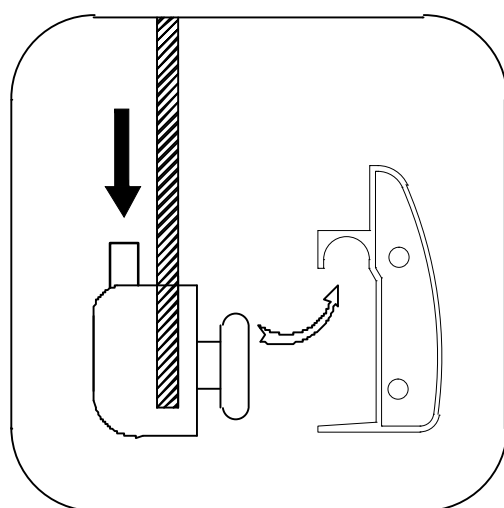
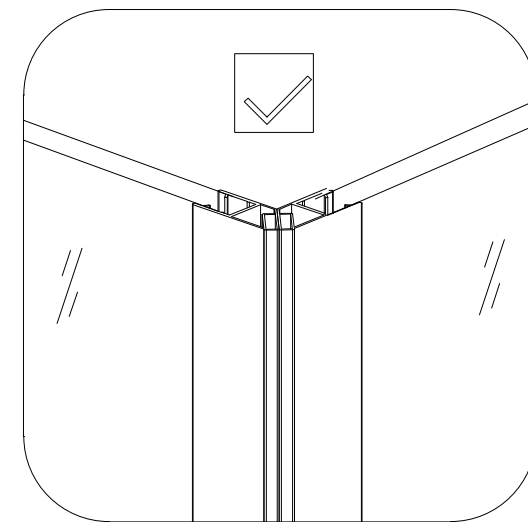
A10



A13



A10



A15

